

## STARLINK | ACCESSORIES

Available to purchase after receiving your order confirmation email.

# PIPE ADAPTER

Designed to attach to any pole with a max diameter of 2.5" (64 mm). Slide adapter over the top of the existing pole, fasten provided screws, and drop Starlink in.

**Tools Needed:**

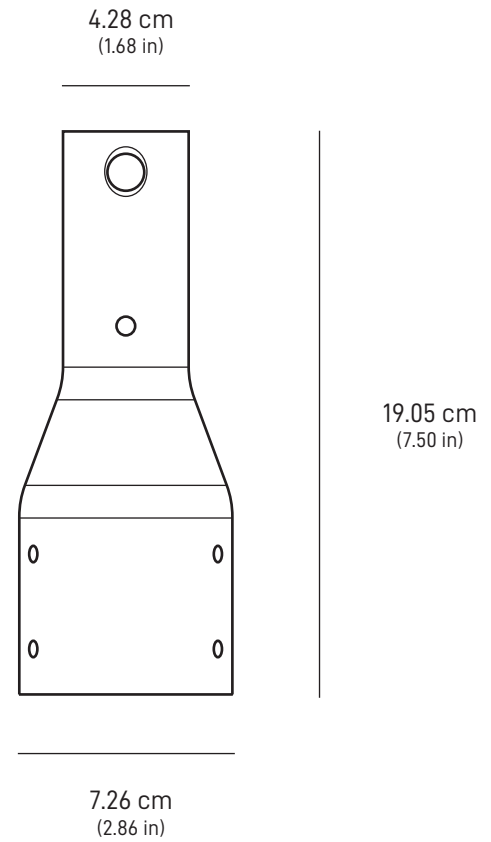
7/16" (11.1 mm) Socket Wrench

**Package Dimensions:**

8" x 5.5" x 3" / 20.7 x 14 x 8 cm

**Package Weight:** 3.1 lbs / 1.39 kg

**Compatibility:** Circular Starlink



# VOLCANO MOUNT

Designed for installation on shingled roofs, requires drilling. Not recommended for tile, slate, and clay roofing. Starlink must be mounted within 35° of vertical.

**Tools Needed:**

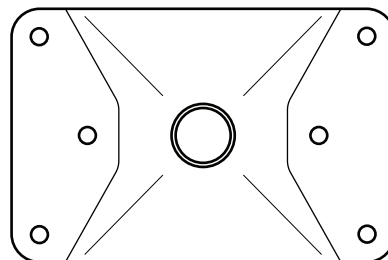
Drill, 5/32" (4 mm) Drill Bit, 1/2" (12.7 mm) Socket Wrench

**Package Dimensions:**

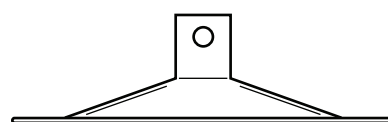
13" x 6.5" x 3" / 33 x 16.5 x 7.6 cm

**Package Weight:** 2.6 lbs / 1.2 kg

**Compatibility:** Circular Starlink

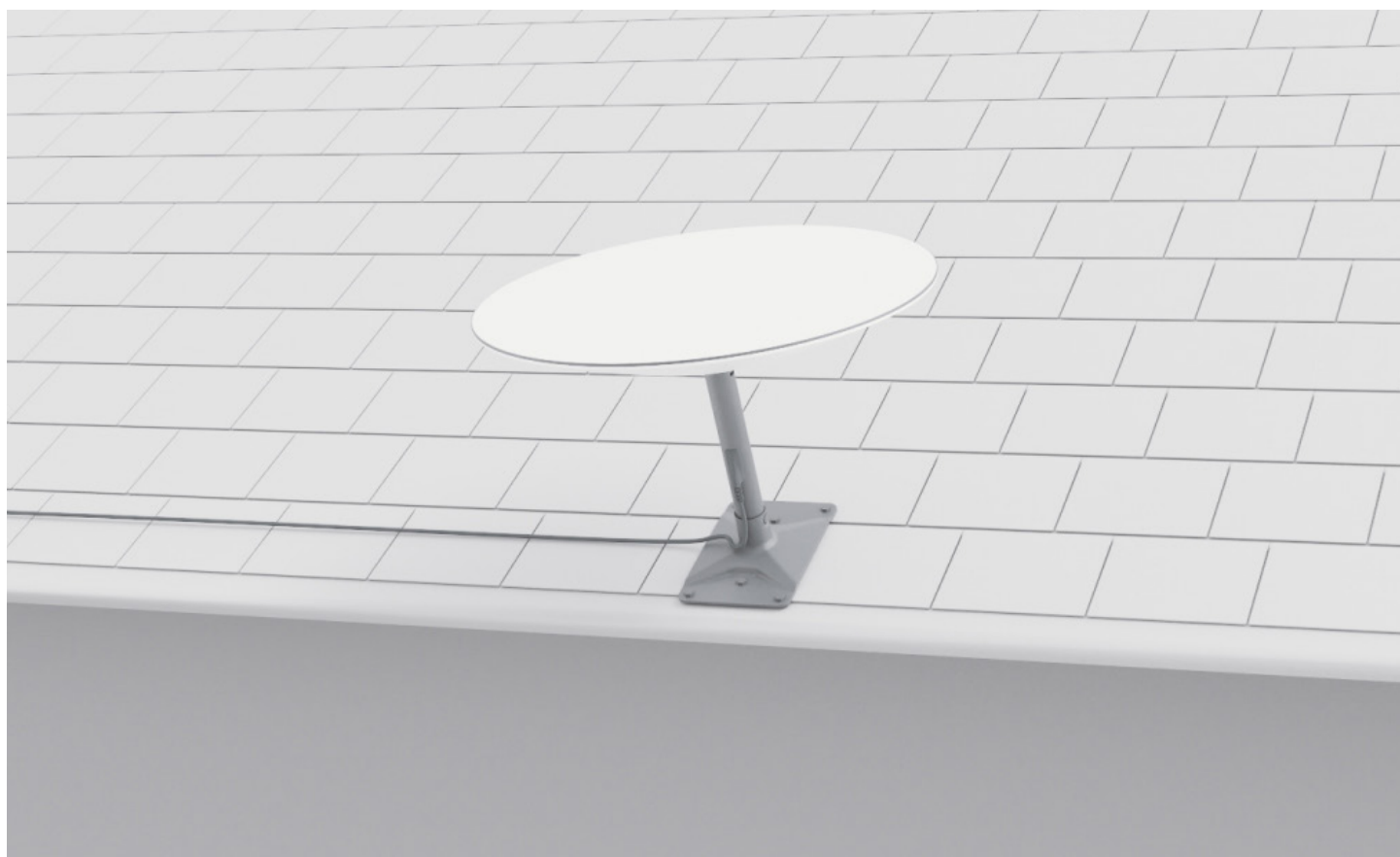


15.6 cm  
(6.16 in)



6.95 cm  
(2.74 in)

22.98 mm  
(9.04 in)



# FLASHING MOUNT

Designed for water-tight protection when installing Starlink on shingles and provides storage for extra cable. **Requires additional purchase of Volcano Roof Mount.**

## Tools Needed:

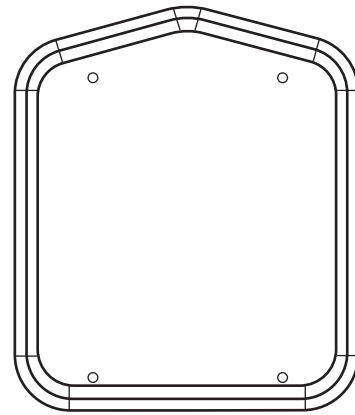
Drill, Phillips Head Drill Bit, 5/16" (7.9 mm) and 7/16" (11.1 mm) Socket Wrenches, 7/16" (11.1 mm) Wrench, Utility Knife, Pry Bar, Roof Cement, Measuring Tape, Stud Finder, Pencil, and Goggles

## Package Dimensions:

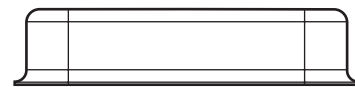
15 5/8" x 15 1/4" x 3" / 39.7 x 38.7 x 7.6 cm

**Package Weight:** 7 lbs / 3.2 kg

**Compatibility:** Circular Starlink



26.89 cm  
(10.58 in)



5 cm  
(1.97 in)

23 cm  
(9.07 in)



# GROUND POLE MOUNT

---

Designed for in-ground installation when roof or wall mounting is not possible; requires digging.

**Tools Needed:**

Shovel, Mortar Hoe, Mixing Trough / Bucket, Gloves, Concrete Mix, and Water

**Package Dimensions:**

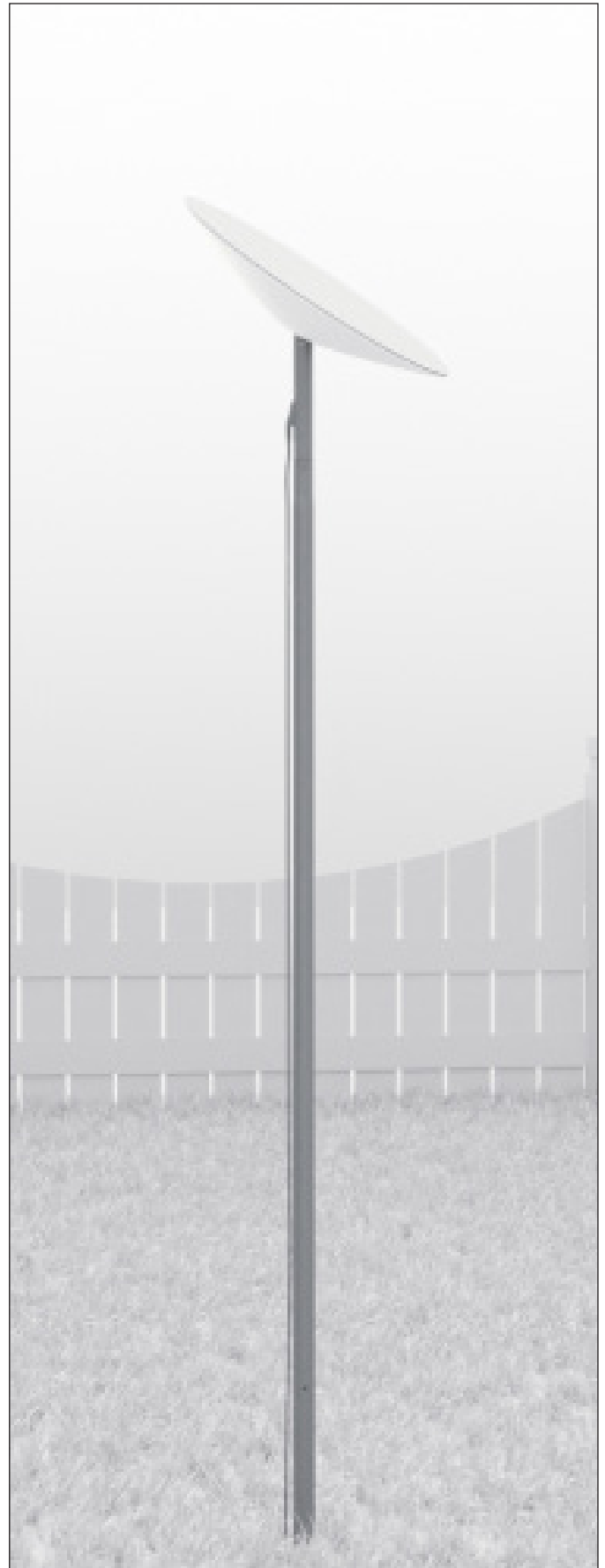
95.75" x 4.25" x 4.25" / 243 x 10.8 x 10.8 cm

**Package Weight:** 13 lbs / 5.9 kg

**Compatibility:** Circular Starlink



228.45 cm  
(89.94 in)



# CABLE ROUTING KIT

---

Designed for drilling through most walls. Not recommended for masonry, concrete, or hard coat stucco. Best for customers with prior internet cable routing experience and installation; must be comfortable drilling through walls. Kit includes a spade bit, drill bit, cable routing tool, silicone sealant, grommets, and wall clips.

**Tools Needed:**

Drill, Stud / Electrical Finder

**Package Dimensions:**

3.75" x 5.25" x 1.75" / 34.9 x 13.3 x 4.4 cm

**Package Weight:** 0.83 lbs / 0.38 kg

**Compatibility:** Circular Starlink



# MASONRY ROUTING KIT

---

Designed for drilling through masonry, concrete or hard coat stucco (excluding EIFS) walls. Best for customers with prior internet cable routing experience and installation; must be comfortable drilling through walls. Kit includes a spade bit, drill bit, cable routing tool, silicone sealant, grommets, and wall clips.

**Tools Needed:**

Hammer, Hammer Drill, Phillips Head Drill Bit, Stud / Electrical Finder, Goggles, Gloves, and Mask

**Package Dimensions:**

13.875" x 6.5" x 1.75" / 35.2 x 16.5 x 4.4 cm

**Package Weight:** 2.1 lbs / 1 kg

**Compatibility:** Circular Starlink



THANK YOU.