

STARLINK | ACCESSORIES

Available to purchase after receiving your order confirmation email.

PIPE ADAPTER MOUNT

Designed to attach to any pole with a max diameter of 2.5" (64 mm). Slide adapter over the top of the existing pole, fasten provided screws, and drop Starlink in.

Tools Needed:

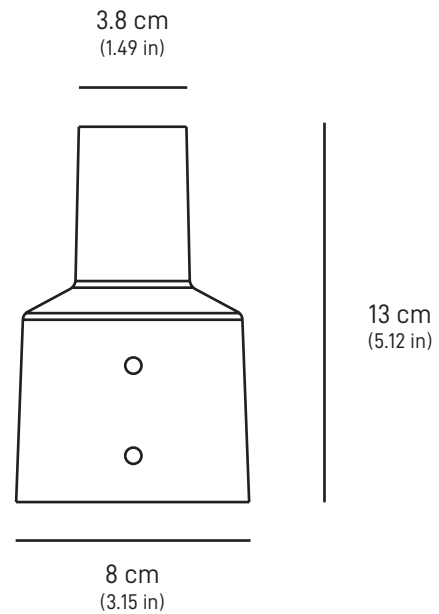
7/16" (11.1 mm) Socket Wrench

Package Dimensions:

8.3" x 5.5" x 3.4" / 21 x 14 x 8.7 cm

Package Weight: 1.35 lbs / 0.6 kg

Compatibility: Rectangular Starlink



SHORT WALL MOUNT

Designed for installation on an exterior wall, near the top of the gable. Drilling required.

Tools Needed:

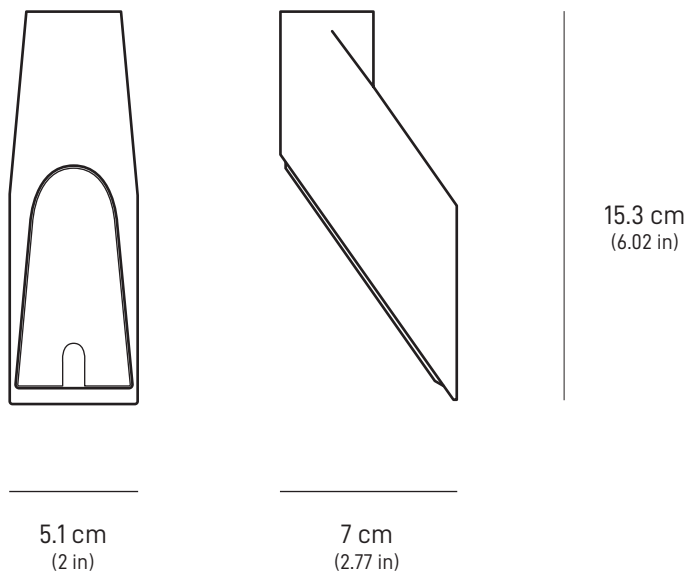
Drill, Stud / Electrical Finder, Socket Wrench, Level, 5/32" (4 mm) Drill Bit, 0.5" x 2.5" (12.5 mm x 63.5 mm) Socket, Pencil

Package Dimensions:

8.3" x 5.5" x 3.4" / 21 x 14 x 8.7 cm

Package Weight: 1.4 lbs / 0.6 kg

Compatibility: Rectangular Starlink



LONG WALL MOUNT

Designed for installation on an exterior wall near the top of the gable; extra length provides clearance of overhang when needed. Drilling required.

Tools Needed:

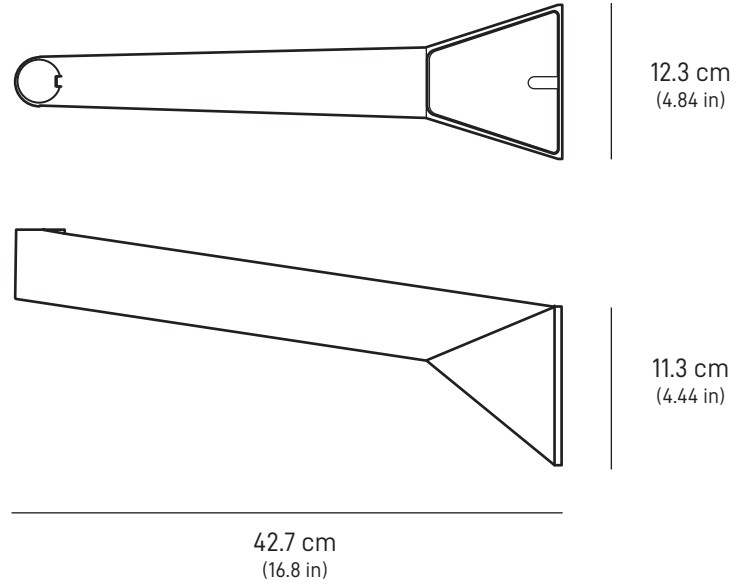
Drill, Stud / Electrical Finder, Socket Wrench, Level, 5/32" (4 mm) Drill Bit, 0.5" x 2.5" (12.5 mm x 63.5 mm) Socket, Pencil

Package Dimensions:

19.1" x 5.5" x 4.7" / 48.5 x 14 x 11.9 cm

Package Weight: 1.4 lbs / 0.6 kg

Compatibility: Rectangular Starlink



GROUND POLE MOUNT

Designed for in-ground installation when roof or wall mounting is not possible; requires digging.

Tools Needed:

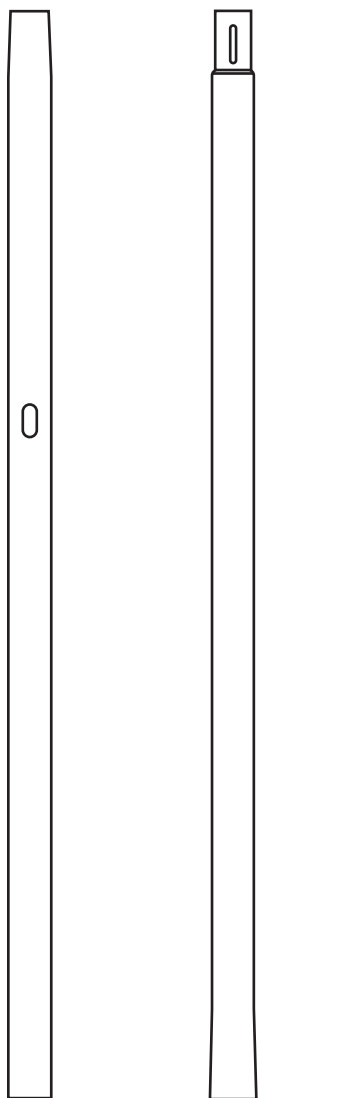
Shovel, Mortar Hoe, Mixing Trough / Bucket, Gloves, Concrete Mix, and Water

Package Dimensions:

45.7" x 4.5" x 2.4" / 116 x 11.5 x 6.1 cm

Package Weight: 9.43 lbs / 4.27 kg

Compatibility: Rectangular Starlink



112.9 cm
(44.45 in)



PIVOT MOUNT

Designed for installation on shingled roofs, recommend installing closer to edge for cable routing. Not recommended for tile, slate, and clay roofing.

For best results, Starlink should be installed as close to vertical as possible.

Tools Needed:

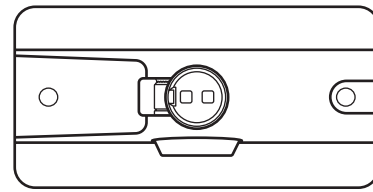
Drill, 5/32" (4 mm) Drill Bit, 1/2" (12.7 mm) Socket Wrench

Package Dimensions:

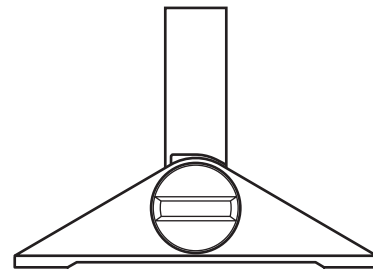
9.7" x 5.5" x 3.1" / 24.7 x 14 x 7.9 cm

Package Weight: 2.21 lbs / 1.0 kg

Compatibility: Rectangular Starlink



110mm
(4.3 in)



156mm
(6.14 in)

220mm
(8.66 in)



FLASHING MOUNT

Designed for water-tight protection when installing Starlink on shingles or siding and provides storage for extra cable.

Requires additional purchase of Pivot Mount.

Tools Needed:

Drill, Phillips Head Drill Bit, 5/16" (7.9 mm) and 7/16" (11.1 mm) Socket Wrenches, 7/16" (11.1 mm) Wrench, Utility Knife, Pry Bar, Roof Cement, Measuring Tape, Stud Finder, Pencil, and Goggles

Mount Dimensions:

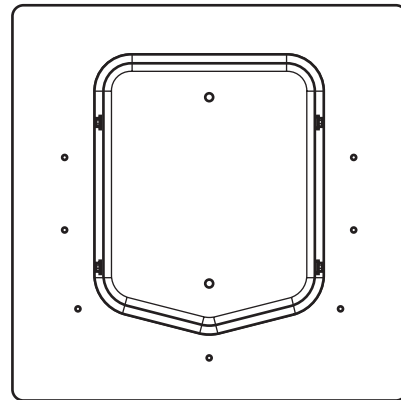
10.58" / 26.89 cm, Width: 9.07" / 23 cm, Height: 1.97" / 5 cm

Package Dimensions:

15 5/8" x 15 1/4" x 3" / 39.7 x 38.7 x 7.6 cm

Package Weight: 7 lbs / 3.2 kg

Compatibility: Rectangular Starlink



381mm
(15 in)



66.3mm
(2.61 in)

381 mm
(15 in)



STARLINK CABLE

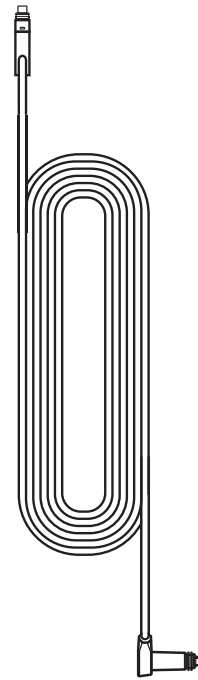
75' Starlink Cable is designed to replace the standard cable from the Starlink Kit in case of damage.

Package Dimensions:

5.87" x 2.0" x 17.17" / 14.9 x 5.1 x 43.6 cm

Package Weight: 3.09 lbs / 1.4 kg

Compatibility: Rectangular Starlink



75 feet
(22.86 m)

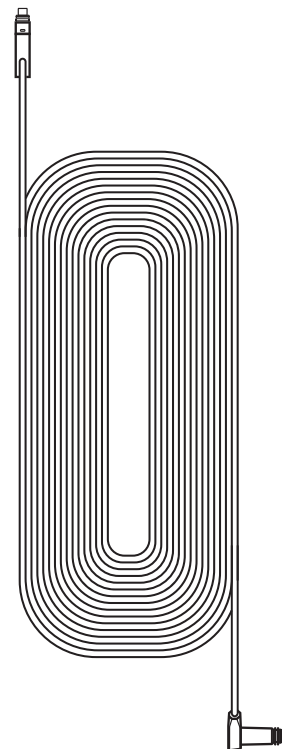
150' Starlink Cable is designed to replace the standard cable from the Starlink Kit when additional length is needed between your install location and the router.

Package Dimensions:

12.25" x 3.5" x 12.75" / 31.1 x 8.9 x 32.4 cm

Package Weight: 6.06 lbs / 2.75 kg

Compatibility: Rectangular Starlink



150 feet
(45.72 m)

ETHERNET ADAPTER

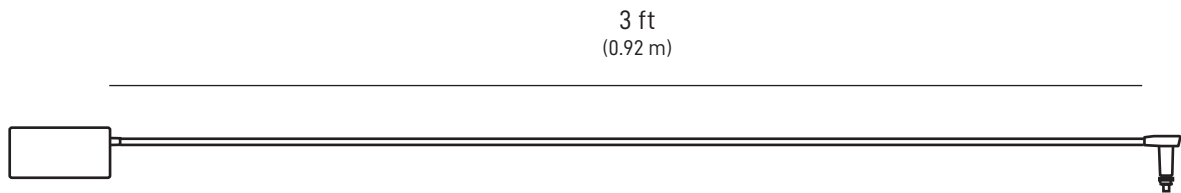
Designed to connect a device directly to the Starlink Router for a wired connection. Supports up to 1 Gbps speeds.

Package Dimensions:

6.5" x 4.5" x 1.5" / 16.5 x 11.4 x 3.6 cm

Package Weight: 0.33 lbs / 0.15 kg

Compatibility: Rectangular Starlink



CABLE ROUTING KIT

Designed for drilling through most walls. Not recommended for masonry, concrete, or hard coat stucco. Best for customers with prior internet cable routing experience and installation; must be comfortable drilling through walls. Kit includes a spade bit, drill bit, cable routing tool, silicone sealant, grommets, and wall clips.

Tools Needed:

Drill, Stud / Electrical Finder

Package Dimensions:

3.75" x 5.25" x 1.75" / 34.9 x 13.3 x 4.4 cm

Package Weight: 0.83 lbs / 0.38 kg

Compatibility: Rectangular Starlink



MASONRY ROUTING KIT

Designed for drilling through masonry, concrete or hard coat stucco (excluding EIFS) walls. Best for customers with prior internet cable routing experience and installation; must be comfortable drilling through walls. Kit includes a spade bit, drill bit, cable routing tool, silicone sealant, grommets, and wall clips.

Tools Needed:

Hammer, Hammer Drill, Phillips Head Drill Bit, Stud / Electrical Finder, Goggles, Gloves, and Mask

Package Dimensions:

13.875" x 6.5" x 1.75" / 35.2 x 16.5 x 4.4 cm

Package Weight: 2.1 lbs / 1 kg

Compatibility: Rectangular Starlink



THANK YOU.